

Application Inquiry Form

Your name

Title

Company

Street address

PO Box

City

State

ZIP/Postal Code

Phone

Email

Interest

Response requested

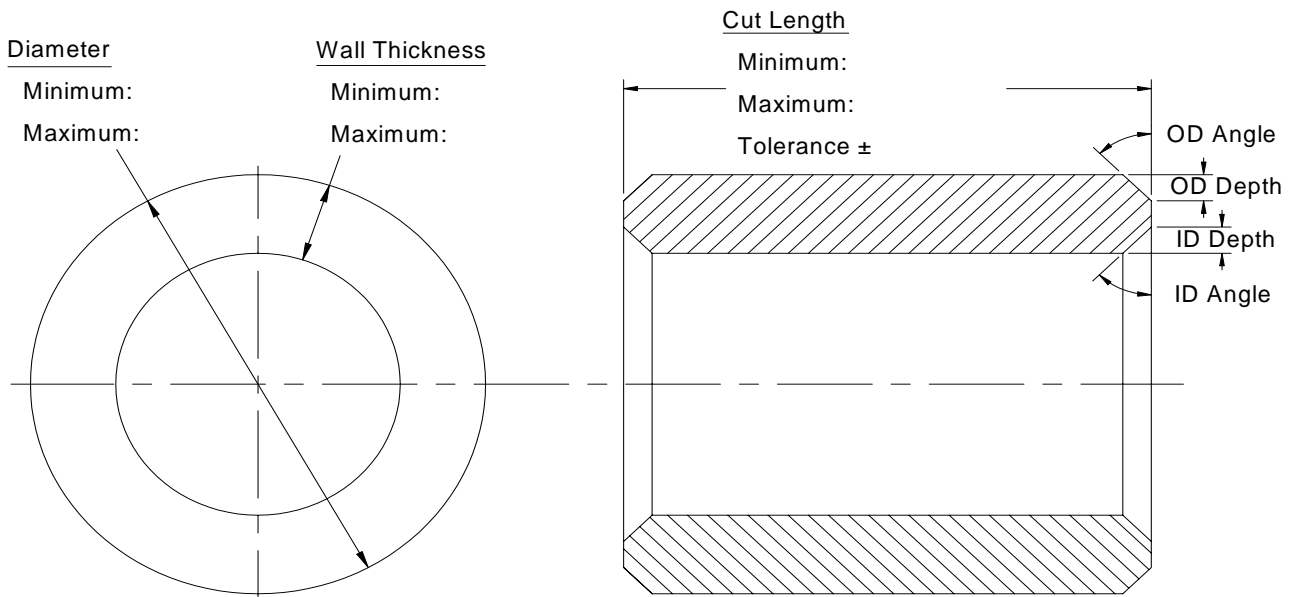
Rotating Head Tube Cutoff
Shear Tube Cutoff
Tube Chamfering, Boring and Grooving
Tube Loading and Off-Loading
Flying Cutoff

Call me
Reply by Email
Send literature
Send quotation
Send DVD
Urgent request!

Please describe your application

How you found us

Search Engine
Tube and Pipe Journal
Tooling & Production
Machine Buyers Guide
Someone recommended Hautau
Other (please describe)



Hautau Tube Cutoff Systems, LLC

11199 State Road 101
Brookville, Indiana 47012
765-647-1600
765-647-1620 (fax)

Click **SEND BY EMAIL** to submit inquiry, or fax completed form to **765-647-1620**.